

Take note of critical placement of hinge. See following page for further information.

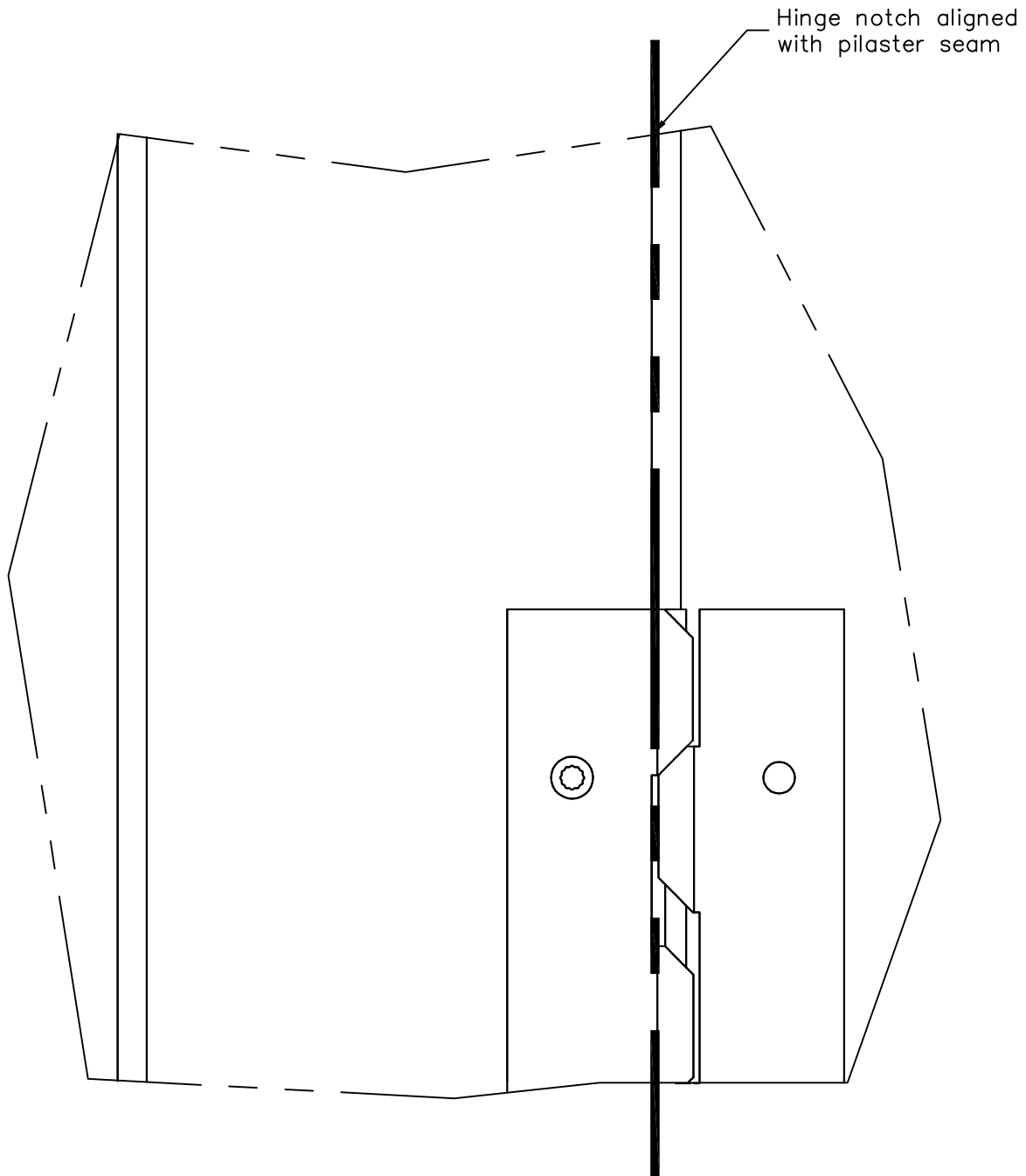
69.5" from finished floor

6.5" from finished floor

hadrian
manufacturing Inc.

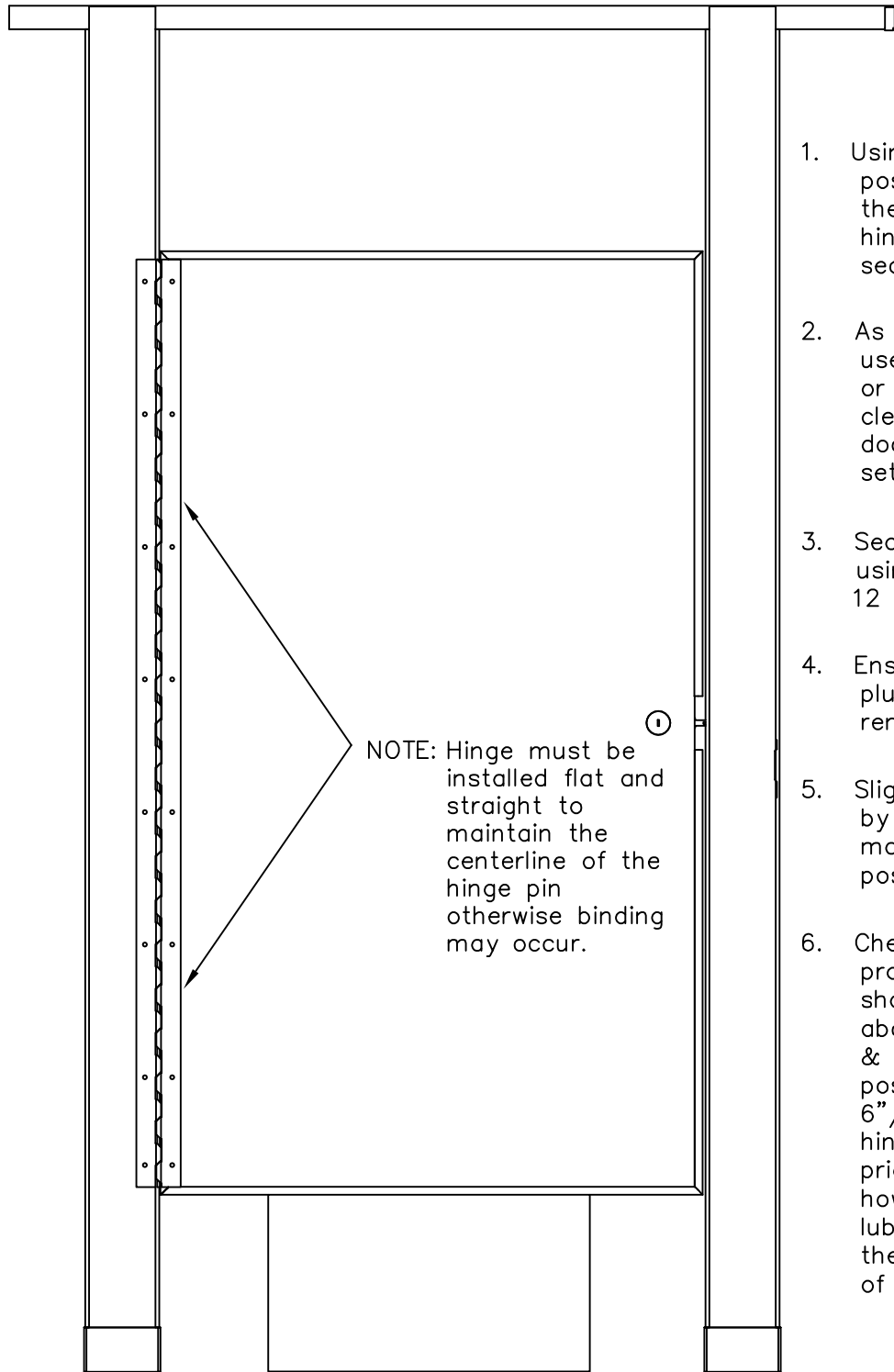
ELITE CONTINUOUS HINGE ASSEMBLY
INSTRUCTIONS STEP #1

1. With the top of the hinge located 69.5" from the floor as per step #1, align hinge notch with seam edge of pilaster. (This will ensure proper centralization of the continuous hinge knuckle with respect to the door.)
2. Secure the hinge as shown to the pilaster with one #12 x 5/8" fastener provided.
3. Ensuring hinge is plum with pilaster secure the hinge to the pilaster with the balance of fasteners provided.



hadrian
manufacturing Inc.

ELITE CONTINUOUS HINGE ASSEMBLY
INSTRUCTIONS STEP #2

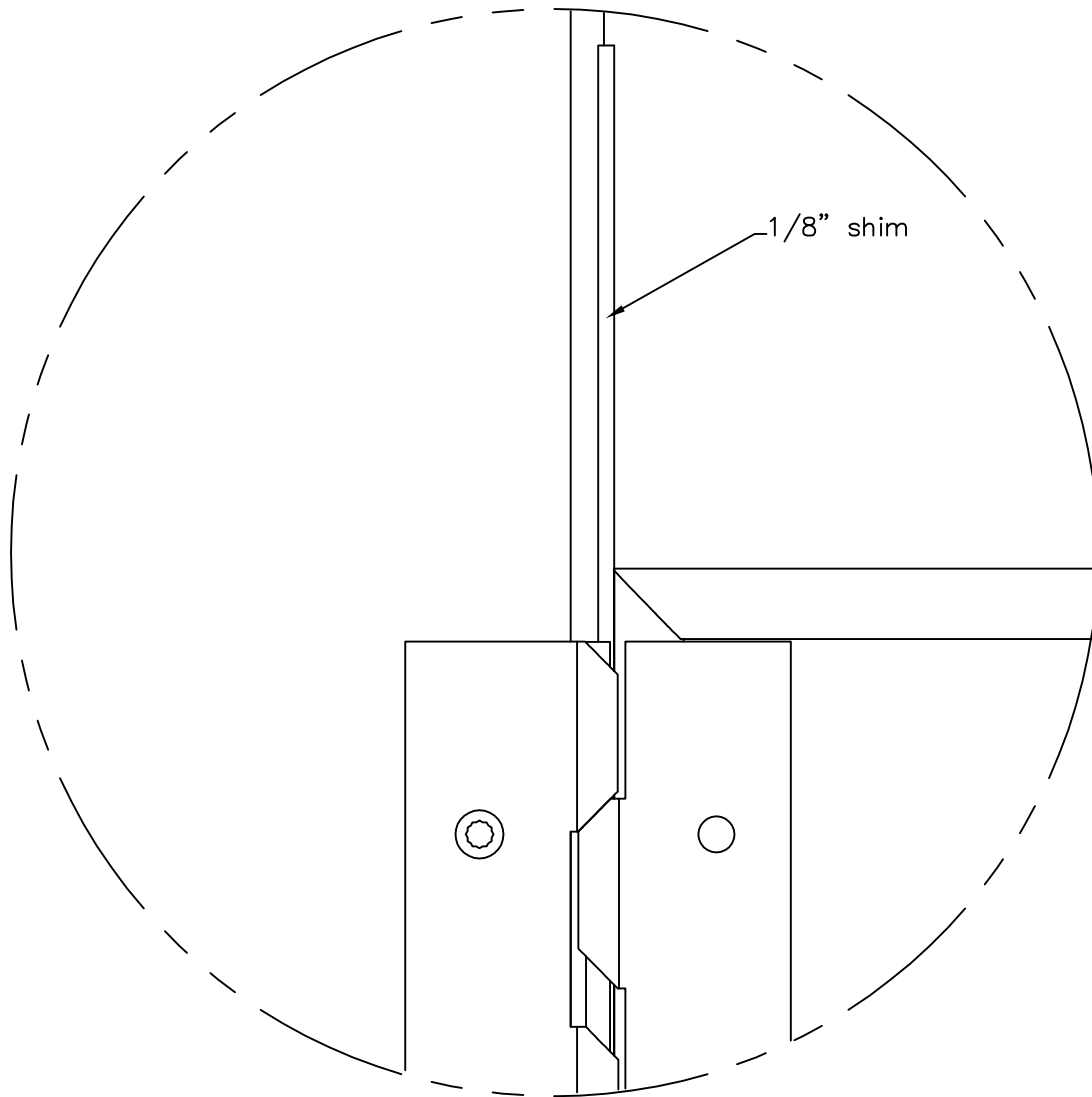


1. Using a 6" block to position the door, align the top of the loose hinge leaf with the top seam of the door.
2. As shown on next page use either a 1/8" shim or allow for 1/8" clearance between the door & pilaster to set hinge clearance.
3. Secure door to hinge using the same 12 x 5/8 screws provided.
4. Ensuring door remains plum with pilaster, install remaining fasteners.
5. Slightly unweight the door by lifting in a vertical motion & remove 6" positioning block.
6. Check hinge & door for proper operation. Door should rotate freely about the hinge center & fall to a closing position at a rate of 6"/sec. All continuous hinges are lubricated prior to shipment, however periodic lubrication will prolong the life expectancy of this hinge.

HADRIAN recommends the use of a LPS II Lubricant as a regular maintenance procedure. Although any Industrial type non-drying lubricant which has been formulated to leave a light oily film will provide adequate protection against corrosion & premature wear.

hadrian
manufacturing Inc.

ELITE CONTINUOUS HINGE ASSEMBLY
 INSTRUCTIONS STEP #3



hadrian
manufacturing Inc.

ELITE CONTINUOUS HINGE ASSEMBLY
INSTRUCTIONS STEP #4