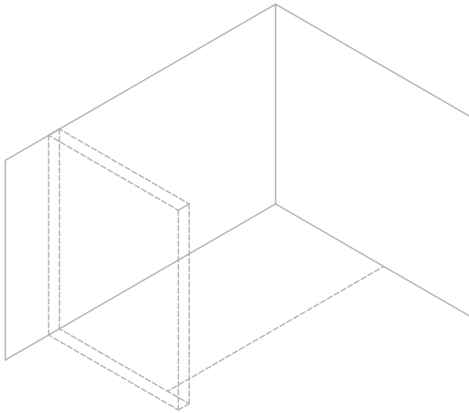


Alcove Instructions for Metal Toilet Partitions

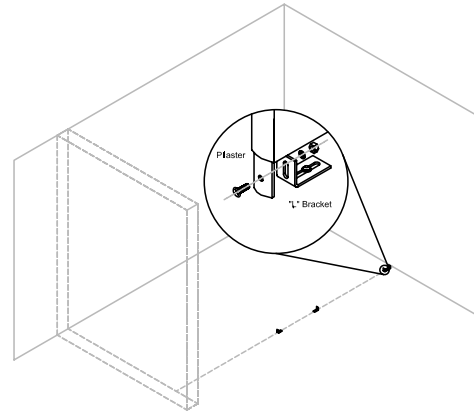


1.

Establish Floor Bracket Locations

Establish front centerline by taking the overall compartment dimension and deducting 16mm (5/8").

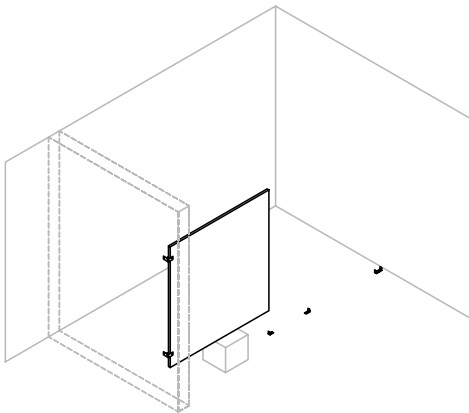
Use final layout drawings to determine locations.



2.

Fasten Floor Brackets

Drill holes for floor brackets 22mm (7/8") in from edge of pilaster locations as indicated on the layout drawing.



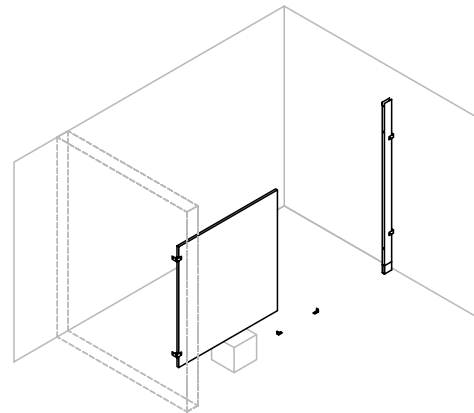
3.

Erect Panel

Fasten two single ear panel "F" brackets to the wall. Bracket centers should be approximately 457mm (18") and 1626 mm (64") from floor*.

Rest panel on 318mm (12 1/2") block and position in brackets. Drill one hole through top bracket and fasten. Keep panel on stabilizer block until middle pilaster has been installed.

**Adjust based on masonry lines as necessary.*



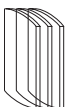
4.

Erect Wall Pilaster

Fasten two single ear pilaster "F" brackets to the wall. Bracket centers should be approximately 457mm (18") and 1626 mm (64") from floor*.

Slide shoe onto pilaster. Position pilaster in wall brackets and over floor brackets. Install floor bracket hardware, leveling device and tighten. Attach pilaster to wall brackets

**Adjust based on masonry lines as necessary.*



Hadrian Manufacturing Inc., 965 Syscon Road, Burlington, ON, Canada, L7L 5S3

Hadrian Inc.,

www.hadrian-inc.com

7420 Clover Avenue, Mentor, OH, U.S.A., 44060

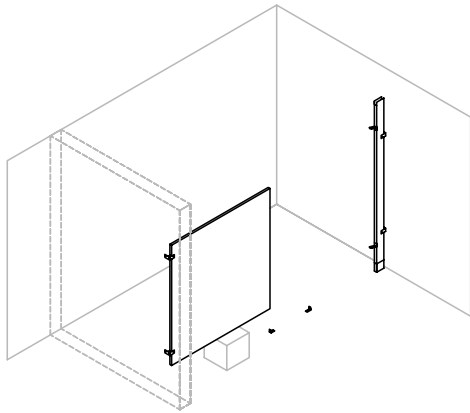
• Tel: (905) 333-0300

• Tel: (440) 942-9118

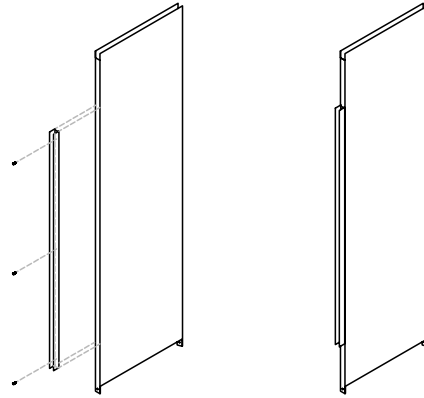
• Fax: (905) 333-1841

• Fax: (440) 942-9618

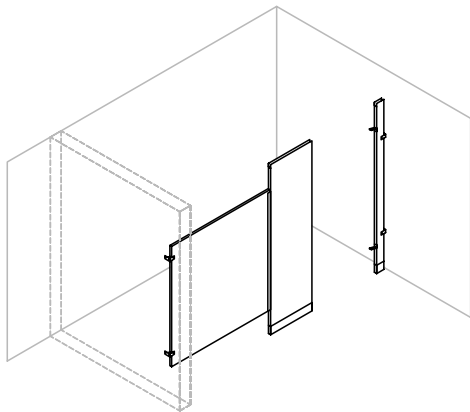
Alcove Instructions for Metal Toilet Partitions



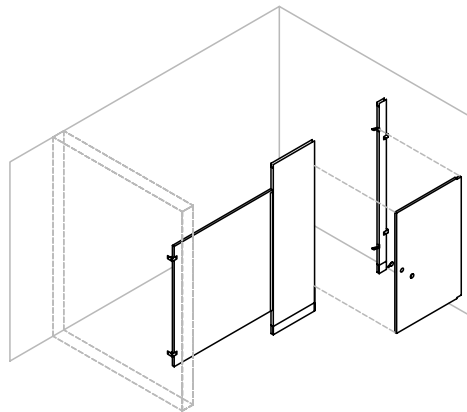
- 5.**
Prepare Pilaster For Door
 Fasten upper and lower hinges to wall pilaster.



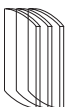
- 6.**
Attach Alcove Channel to Middle Pilaster
 Position alcove channel 305mm (12") from bottom of pilaster. Concave side of alcove channel mounts to pilaster. Secure with a minimum of three screws.



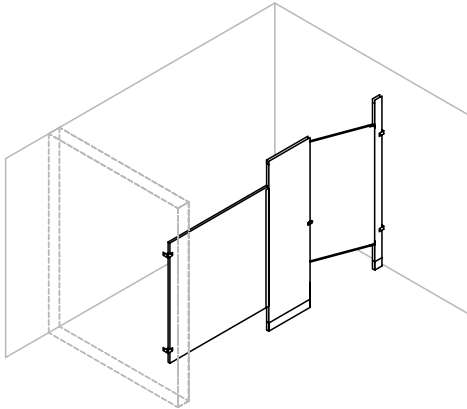
- 7.**
Erect Middle Pilaster
 Slide shoe onto pilaster. Position pilaster over floor brackets. Adjust pilaster location so alcove channel grasps panel. Install floor bracket hardware, leveling device and tighten. Secure panel with a minimum of three screws on the inside of the stall.



- 8.**
Prepare Door For Hanging
 Insert female cam in the door. install inner and outer knob, coat hook and bumper and door pull.



Alcove Instructions for Metal Toilet Partitions

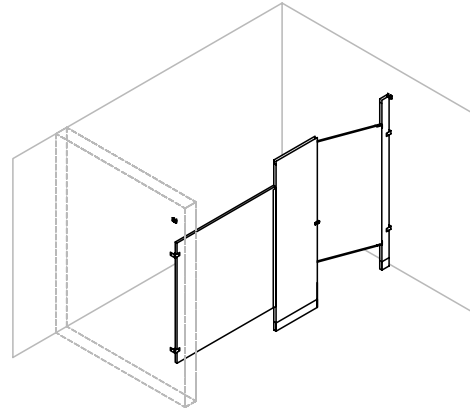


9.

Hang Door

Insert male came into bottom hinge and lower door onto it. Install threaded upper hinge pin. To set door at required angle, loosen the nut of the male cam assembly, set door at required angle and tighten nut.

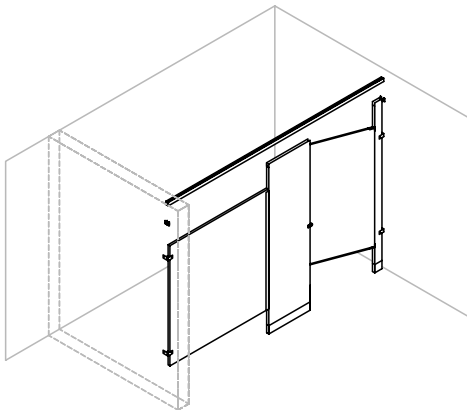
Fasten stop & keeper inline with latch.



10.

Secure Headrail Brackets

Fasten headrail brackets to the wall approximately 2070mm (81 1/2") above floor (some adjustment may be necessary due to varying floor conditions).



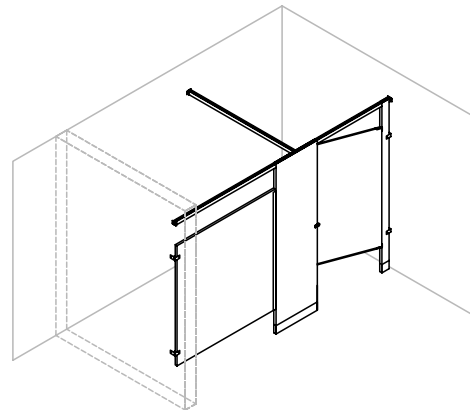
11.

Place Headrail

Place headrail into tops of pilasters and slide into headrail brackets. Due to the size of some alcoves two pieces of headrail may be required. Splice sections of headrail on top of middle pilaster.

Fasten headrail to pilasters and to headrail wall brackets.

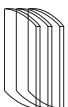
Adjust leveling devices to level all compartment components and tighten.



12.

Return Headrail

On larger alcoves it may be necessary to install a piece of return headrail to increase lateral stability.



Hadrian Manufacturing Inc., 965 Syscon Road, Burlington, ON, Canada, L7L 5S3

Hadrian Inc.,

www.hadrian-inc.com

7420 Clover Avenue, Mentor, OH, U.S.A., 44060

• Tel: (905) 333-0300

• Tel: (440) 942-9118

• Fax: (905) 333-1841

• Fax: (440) 942-9618